

### Brass Gate Valves

PN20/300PSI/Class150

Solid Wedge, Non-Rising Stem  
BSEN12288, Threaded Ends Comply to BSPT or ANSI 2.1

Hydraulic Pressure Test	
Body	3.0Mpa/30Bar
Seat	2.2Mpa/22Bar

Pressure Ratings	
0.9 Mpa at 180°C	
2.0 Mpa at -20°C-100°C	



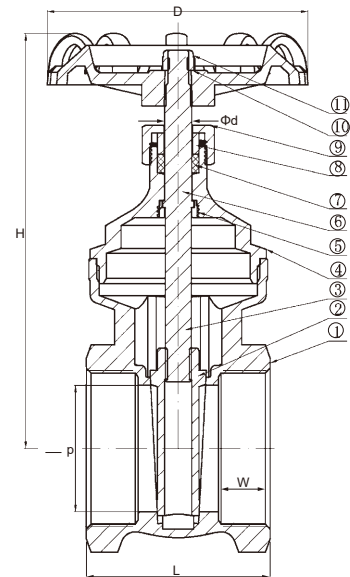
**A103**  
1/2" - 2"

#### Materials List

No	Part	Specification	BS EN	ASTM
1	Body	Brass	CW612N	C3700
2	Disc	Brass	CW612N	C3700
3	Bonnet	Brass	CW612N	C3700
5	Stem Packing	PTFE	PTFE	PTFE
6	Gland	Brass	CW603N	C3600
7	Nut	Brass	CW603N	C3600
8	Stem	Brass	CW603N	C3600
9	Handwheel	Cast Iron	EN-JL1030	A126 CLASS B
10	Handwheel Nut	Steel	--	A563 Zn PLATED
11	Nameplate	Aluminum	--	B209 1100

#### Dimensions-Weights

mm	15	20	25	32	40	50	
In	1/2	3/4	1	1 1/4	1 1/2	2	
L	41	51	51	55	60	67	
H (max)	68	76	88	108	120	139	
D	53	53	60	72	72	80	
P	13.5	18.5	25.0	31.0	37.0	44.0	
W	13.7	15.0	17.8	18.0	19.0	20.5	
d	10	10	10	11	11	12	
Weight	Lbs	0.55	0.79	1.10	1.68	2.09	3.26
	Kg	0.25	0.36	0.50	0.76	0.95	1.48



\* **Freezing Weather Precaution:** Subsequent to testing a piping system, valves should be left in an open position to allow complete drainage.

Each TALOAR brass valve has been thoroughly cleaned and degreased and packed separately in the sealed polythene bag.